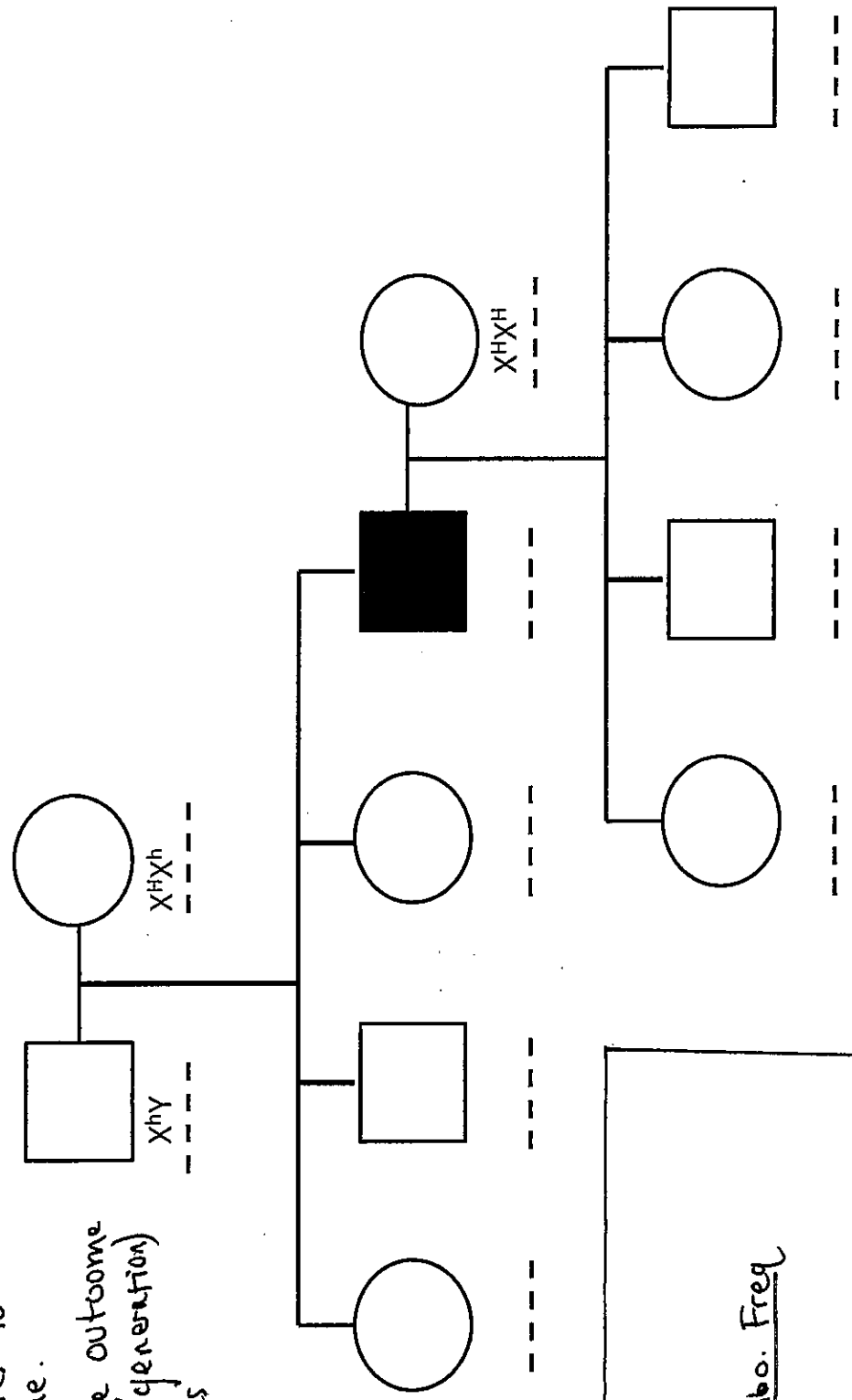


# X-Linked Recessive Trait (Hemophilia)

NAME: ○

- Create Punnett squares to show offspring outcome.
- Assume each possible outcome will occur (4 offspring/generation)
- Record all genotypes in space below.
- Complete shading where necessary.

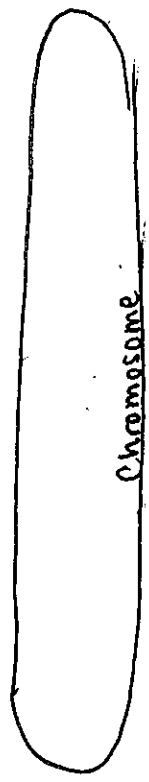


## Linked Genes:

Trait 1      Trait 2      Recombo. Freq

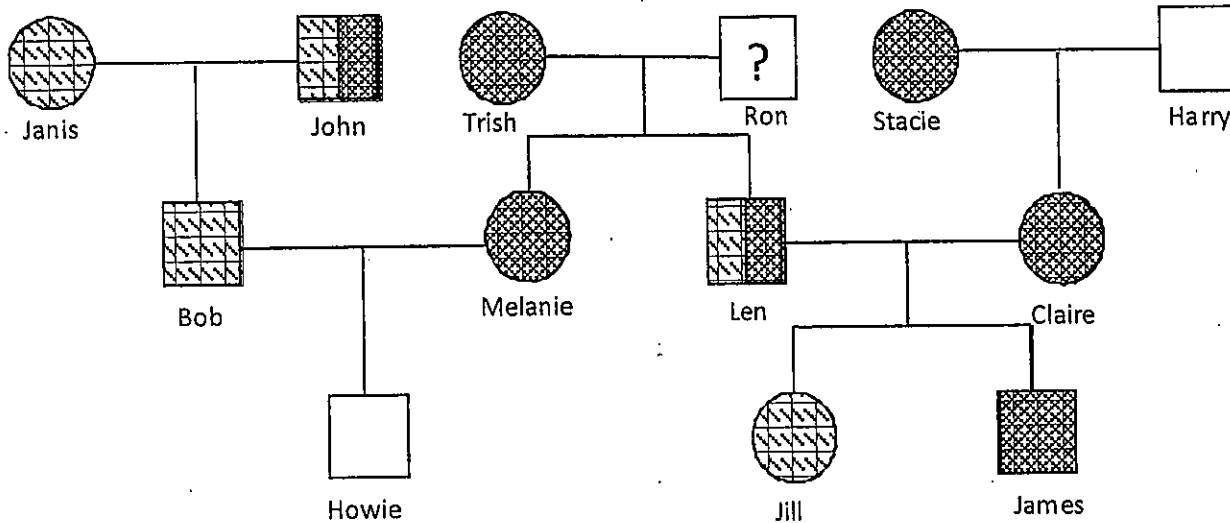
- Texture      • Pea Color      ○
- Texture      • Plant height      36%
- Pea Color      • Plant height      41%

Gene Map of Chrom. w/ 3 diff. traits



## BLOOD TYPING/PEDIGREE ACTIVITY

Instructions: Using the pedigree below, answer the following questions regarding this family.



1. Sometimes, in order to figure out the blood types of parents, it is necessary to do all of the possible crosses to determine the possibilities. In the squares below, determine all of the possible blood combinations for the following parents and then determine which ones COULD be correct and write them in the pedigree and in the chart on the next page

**Trish and Ron:** There are four possible combinations of blood types. Cross all possible combinations of type A and B to determine Trish and Ron's type. Look at Len and Melanie's type to help you decide which are right. There are 2 possible types for Trish

--	--	--	--

**Stacie and Harry:** There are two possible blood type combinations of blood types. Cross all combinations of Types B and O to determine Claire's type. Hint: look at Claire's children to help you decide which is right! There are two possible types for Stacie

--	--

**Len and Claire:**

After you determine Claire's blood type, use hers and Len's to determine Jill and James. There are two possibilities for James

--	--